



- Lithium 600 AH battery
- 360 degrees Multi-directional
- Advanced laser guidance
- Pre Installed Sideshift
- Wireless video assist
- Electric steering system
- Innovative joystick control
- Integral fork postioner

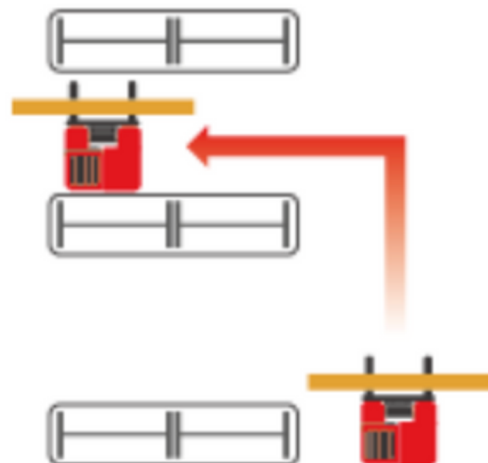
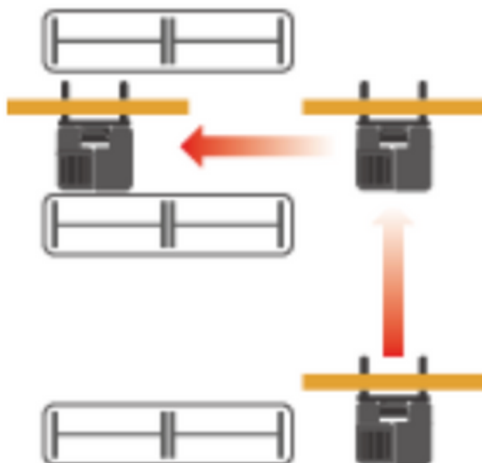
Overview

MiMA forklifts are manufactured by MiMA Machinery, which is a subsidiary of Hefei Banyitong Science & Technology Development Co Ltd. MiMA Machinery specialises in the production of innovative material handling equipment, including electric forklifts, reach trucks, pallet trucks, and stackers.

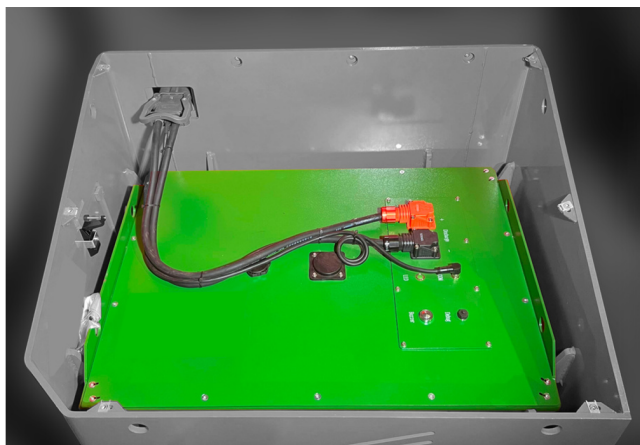
Hefei Banyitong Science & Technology Development Co Ltd was founded in 2005 and is recognised for its commitment to innovation, quality, and technological advancement in the field of material handling.



The MiMA multi-directional counterbalance forklift redefines versatility in material handling. With its unique design, it offers exceptional manoeuvrability in compact spaces and narrow aisles, making it an ideal choice for warehouses and distribution centers where space is at a premium. Its multi-directional capabilities allow it to move sideways as well as forward and backward, enhancing efficiency in loading and unloading operations. Equipped with advanced counterbalance technology, it ensures stability and safety during operation, even when handling heavy loads. The ergonomic design of the MiMA forklift enhances operator comfort and reduces fatigue during long shifts, improving overall productivity. With its innovative features and reliable performance, the MiMA multi-directional counterbalance forklift stands out as a versatile solution for diverse material handling challenges.



Powerful lithium battery



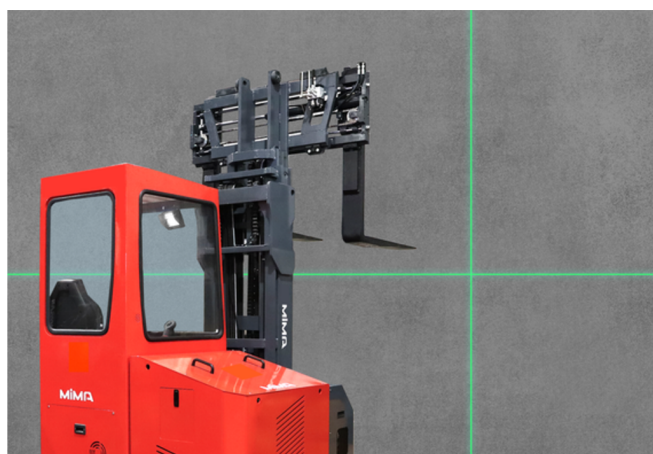
The MiMA multi-directional counterbalance forklift boasts a large powerful 600 AH Li-ion battery with ultra fast charging, ensuring extended operation and minimal downtime. Its advanced design optimizes performance, ideal for demanding material handling tasks.

Wireless video assist



The MiMA multi-directional counterbalance forklift features wireless video assist, providing operators with real-time visual feedback for enhanced precision and safety during manoeuvring and load handling operations in confined spaces.

Laser guiding system



The MiMA multi-directional counterbalance forklift features an advanced laser system that enhances precision by projecting a guide onto both the ground and walls simultaneously, ensuring precise load placement in compact spaces.

Electric steering system



The MiMA multi-directional counterbalance forklift showcases an electric steering system, providing responsive and effortless control. This technology enhances manoeuvrability, ensuring smooth and precise navigation in compact spaces for optimal operational efficiency.

Integrated joystick control



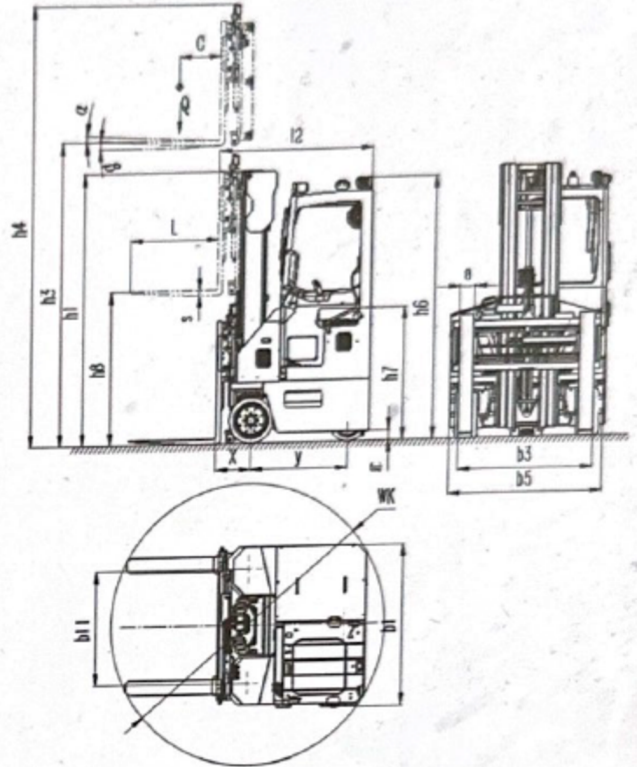
The MiMA multi-directional counterbalance forklift is equipped with integrated joystick control, offering intuitive and precise maneuvering. This ergonomic feature enhances operator comfort and efficiency, facilitating seamless navigation in diverse material handling environments.

Mast Specification:

Triplex full free mast										
Model	MQK30SQ	30SQ-36	30SQ-40	30SQ-46	30SQ-54	30SQ-60	30SQ-65	30SQ-70	30SQ-75	30SQ-80
Lift Height	h3(mm)	3600	4000	4600	5400	6000	6500	7000	7500	8000
Mast extended height	h4(mm)	4960	5360	5960	6760	7360	7860	8360	8860	9360
Mast closed height	h1(mm)	1935	2068	2268	2535	2735	2902	3018	3184	3351
Free lift height	h2(mm)	575	708	908	1175	1375	1542	1658	1824	1991

Feature		
1.1	Manufacture	MIMA
1.2	Model	MQK30
1.3	Power Type	Battery
1.4	Drive Style	Seated
1.5	Rated Load	Q(kg) 3000
1.6	Load Center	C(mm) 500
1.7	Front Overhand	x(mm) 367
1.8	Wheel Base	y(mm) 1015
Weight		
2.1	Service Weight (with battery)	kg 7900
Wheel		
3.1	Tires Types, drive/load	Solid Rubber Wheel
3.2	Load Wheel Size	in/mm 15 × 6-11.25/φ381 × 152
3.3	Drive Wheel Size	in/mm 18 × 9-12.125/φ457 × 229
3.5	Tires Quantities, front/rear (x=drive wheel)	2X/2
3.6	Wheel Tread, drive side	b10(mm) 1170
Size		
4.1	Mast Tilting, forward/backward	α,β(°) 1/3.5
4.2	Mast Closed Height	h1(mm) 2735
4.3	Free Lift Height	h2(mm) 1375
4.4	Lift Height	h3(mm) 6000
4.5	Mast Extended Height	h4(mm) 7360
4.7	Overhead Guard Height(with/without light)	h6(mm) 2650/2515
4.8	Seat Height	h7(mm) 1340
4.9	Leg Height	h8(mm) /
4.10	Overall Length	l1(mm) 2520
4.11	Overall Width	b1(mm) 1640
4.12	Diameter of No-load Rotation in Situ	WK(mm) 2800/2900
4.13	Forks Size	l/e/s(mm) 920/150/50
4.14	Forks Carriage Width	b5(mm) 1600
4.15	Forks Outside Distance	b3(mm) 460~1400
4.16	Side Shift Distance	b4(mm) ±100
4.17	Length to Fork Face	l2(mm) 1600
4.18	Min. Ground Clearance	m1(mm) 100
Performance		
5.1	Side Walking Speed, full load/no load	km/h 7~8
5.2	Straight Walking Speed, full load/no load	km/h 9~10
5.3	Lifting Speed, full load/no load	mm/s 200/240
5.4	Lowing Speed, full load/no load	mm/s 300/240
5.5	Max Gradeability of Side Walking, full load/no load (S2-Smin)	%(tanθ) 10/10
5.6	Max Gradeability of Straight Walking, full load/no load (S2-Smin)	%(tanθ) 10/10
5.7	Brake Type	Electromagnetic
Drive		
6.1	Drive Motor (S2-60min)	kw 7AC
6.2	Lift Motor (S3-15%)	kw 12.BAC
6.3	Lithium Battery, voltage/ capacity	V/Ah 48/600
6.4	Battery Weight	kg 450
6.5	Steering System	Electric Steering
Other		
7.1	Battery Replacement Type	Hoist

2D View



Load Chart

